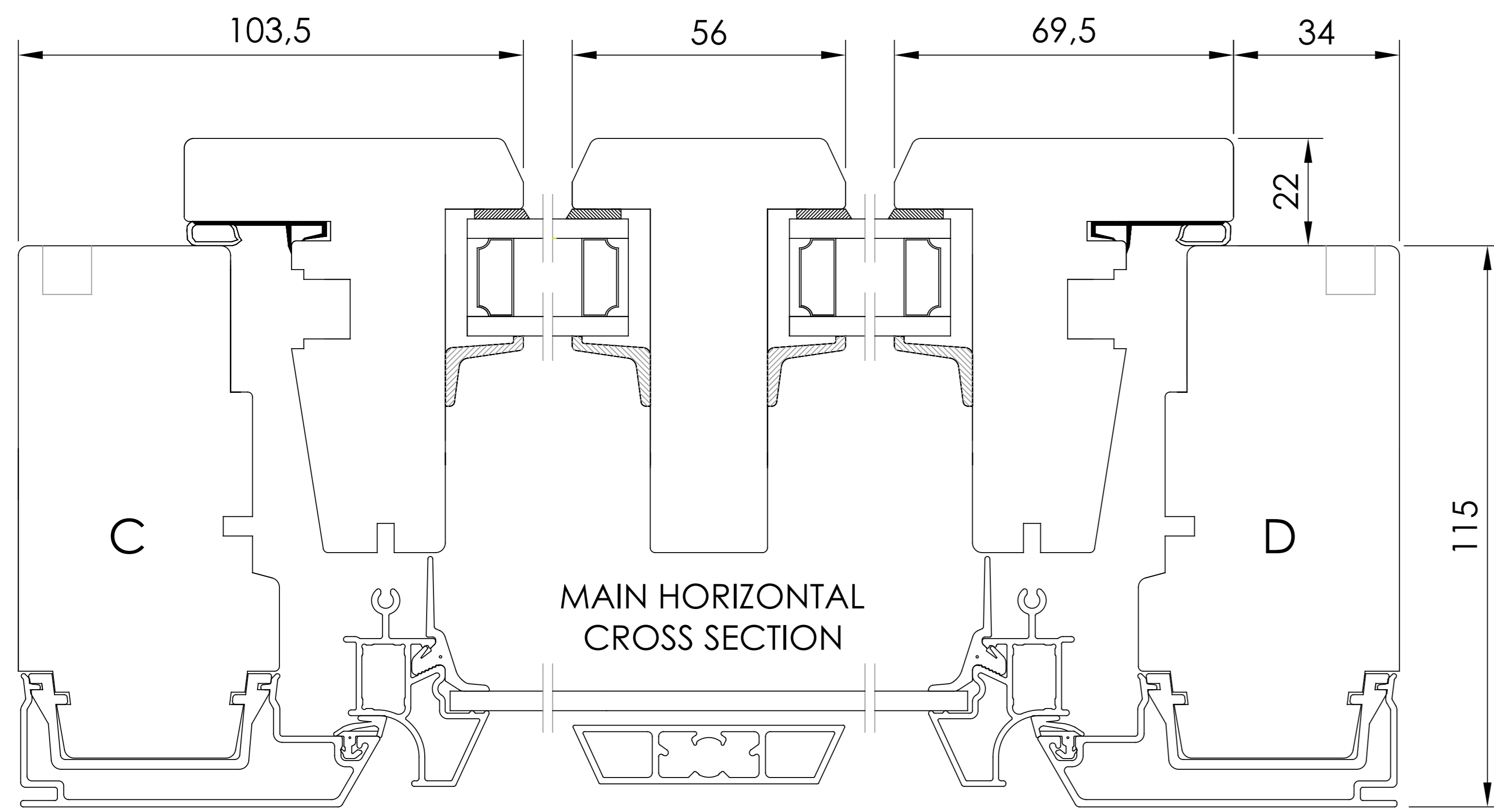


Upphovsrätten till detta dokument och alla bilagor anförs till mottagaren personligen, den förblir alltid Inwido AB:s (556633-3828) egendom. Allt kopiera eller på annat sätt reproducera detta dokument till tredje part utan skriftligt tillstånd är strängt förbjudet.



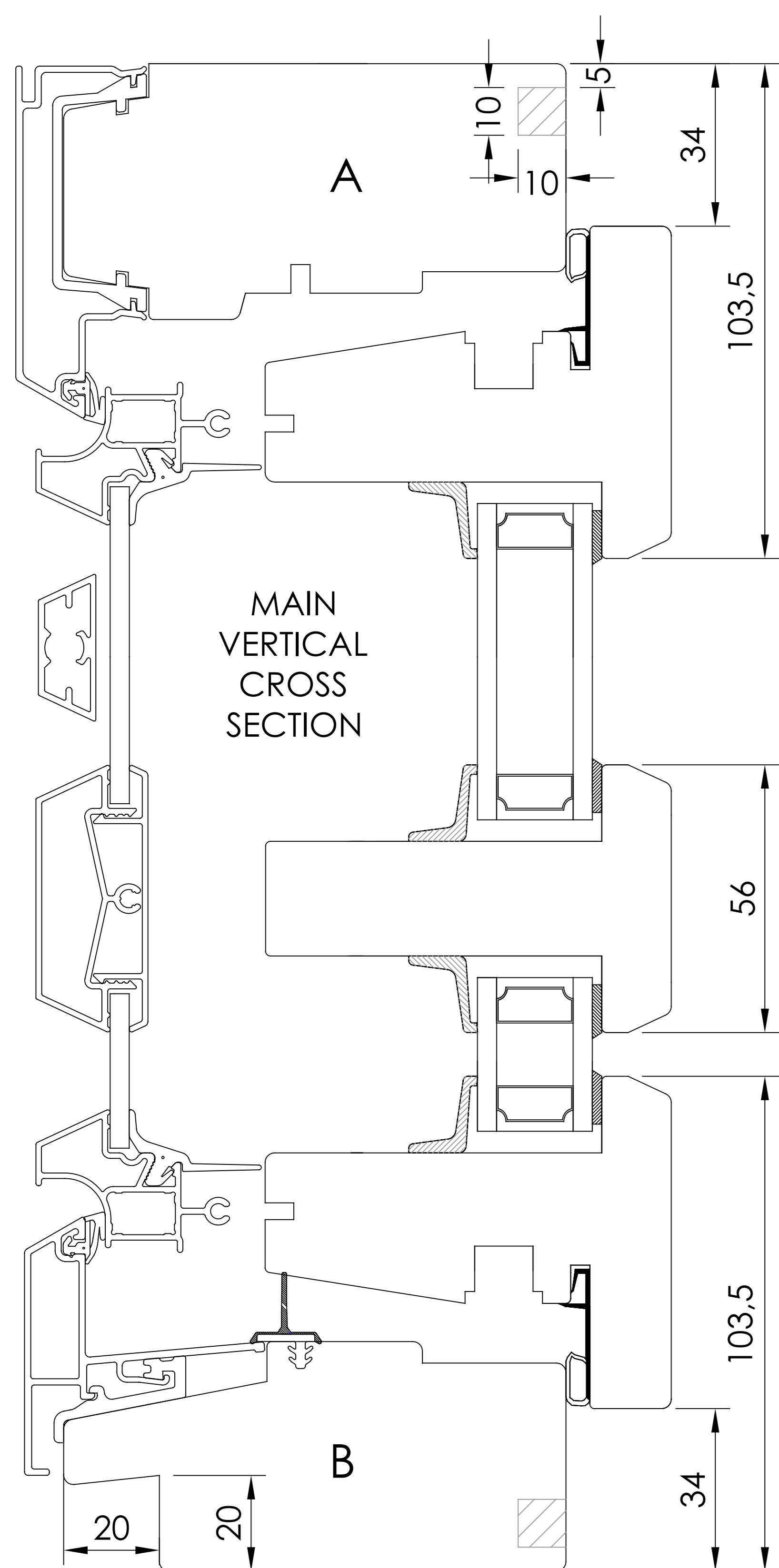
MAIN HORIZONTAL CROSS SECTION

VARIANT, FITTINGS

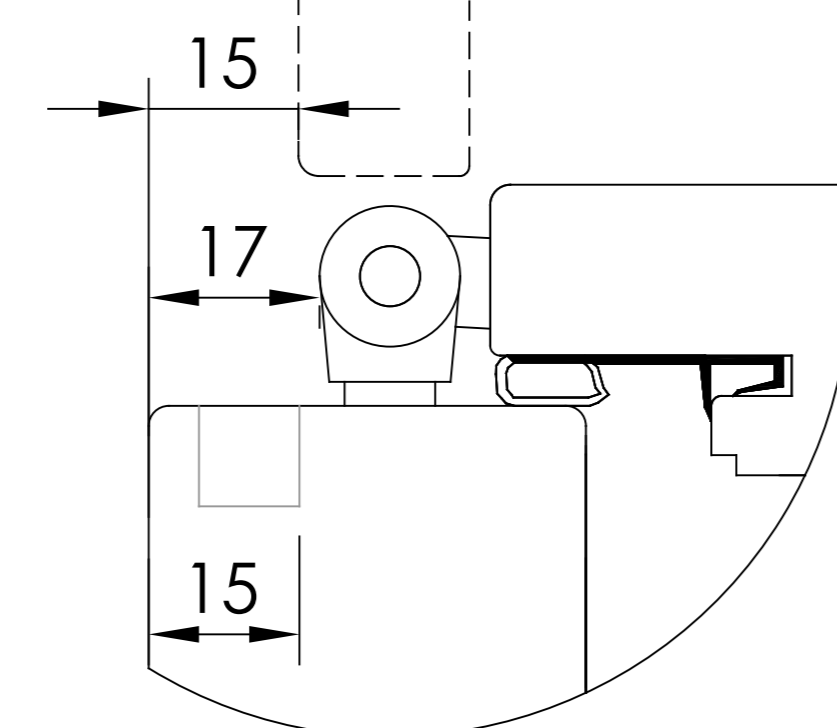
- Exterior hinges.
- Exterior tilt before turn hinges (kipp-dreh).
- Internal hidden tilt before turn hinges (kipp-dreh).

ALL AROUND OPTION

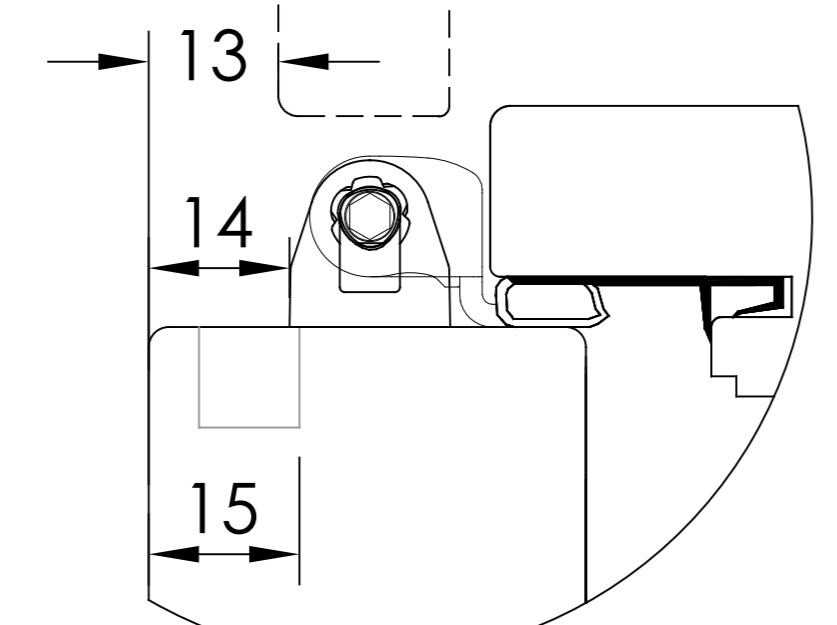
- Internal slot (not for exterior kipp-dreh).



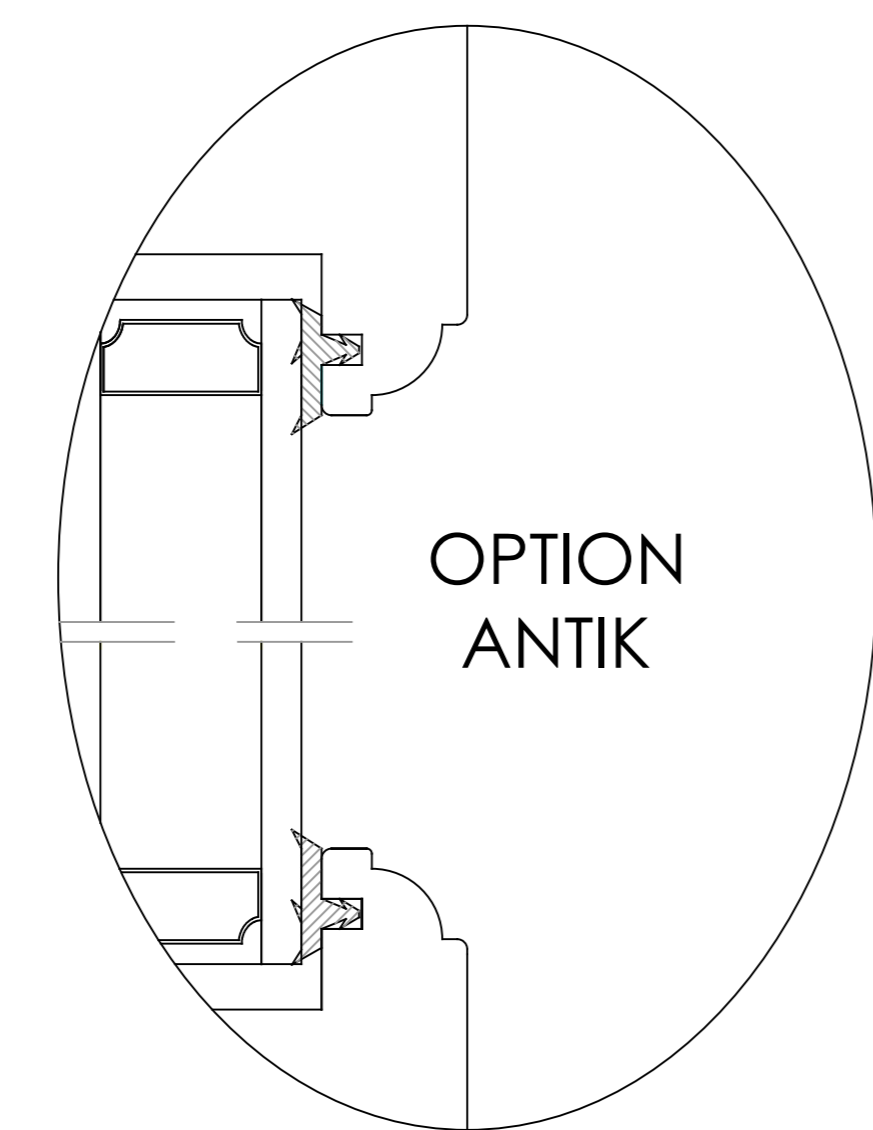
MAIN VERTICAL CROSS SECTION



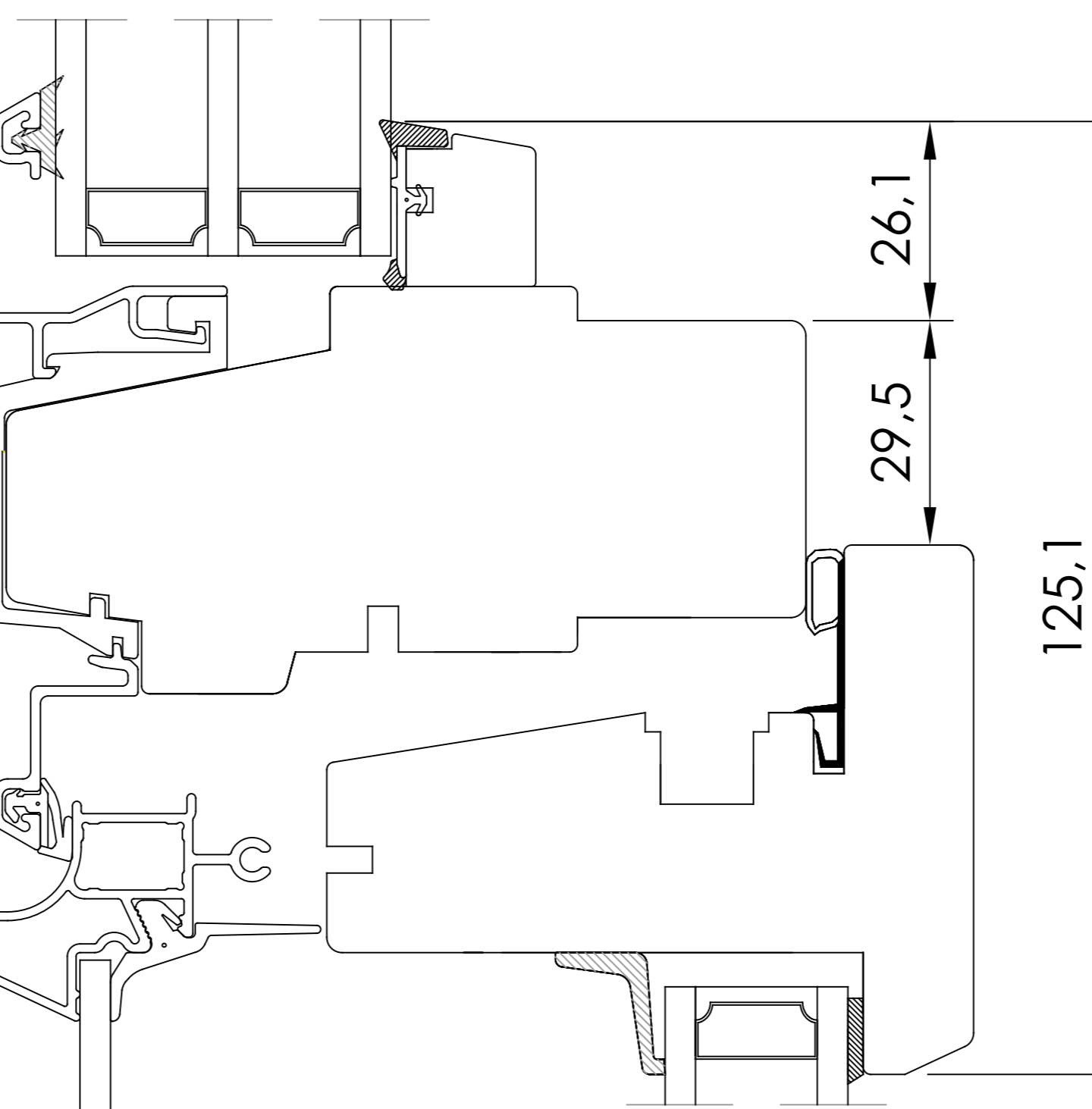
- Exterior hinges



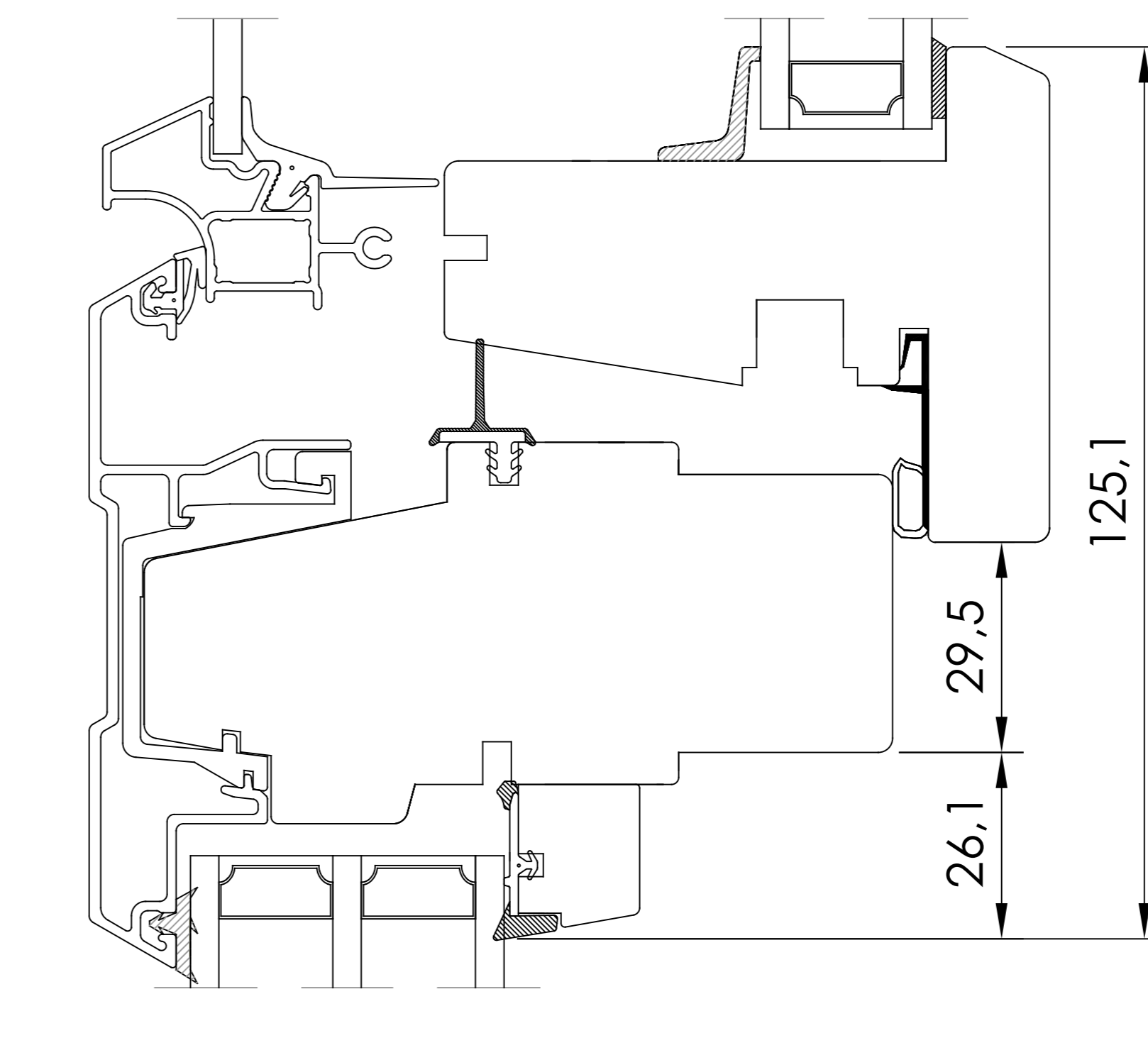
- Kipp-dreh hinges



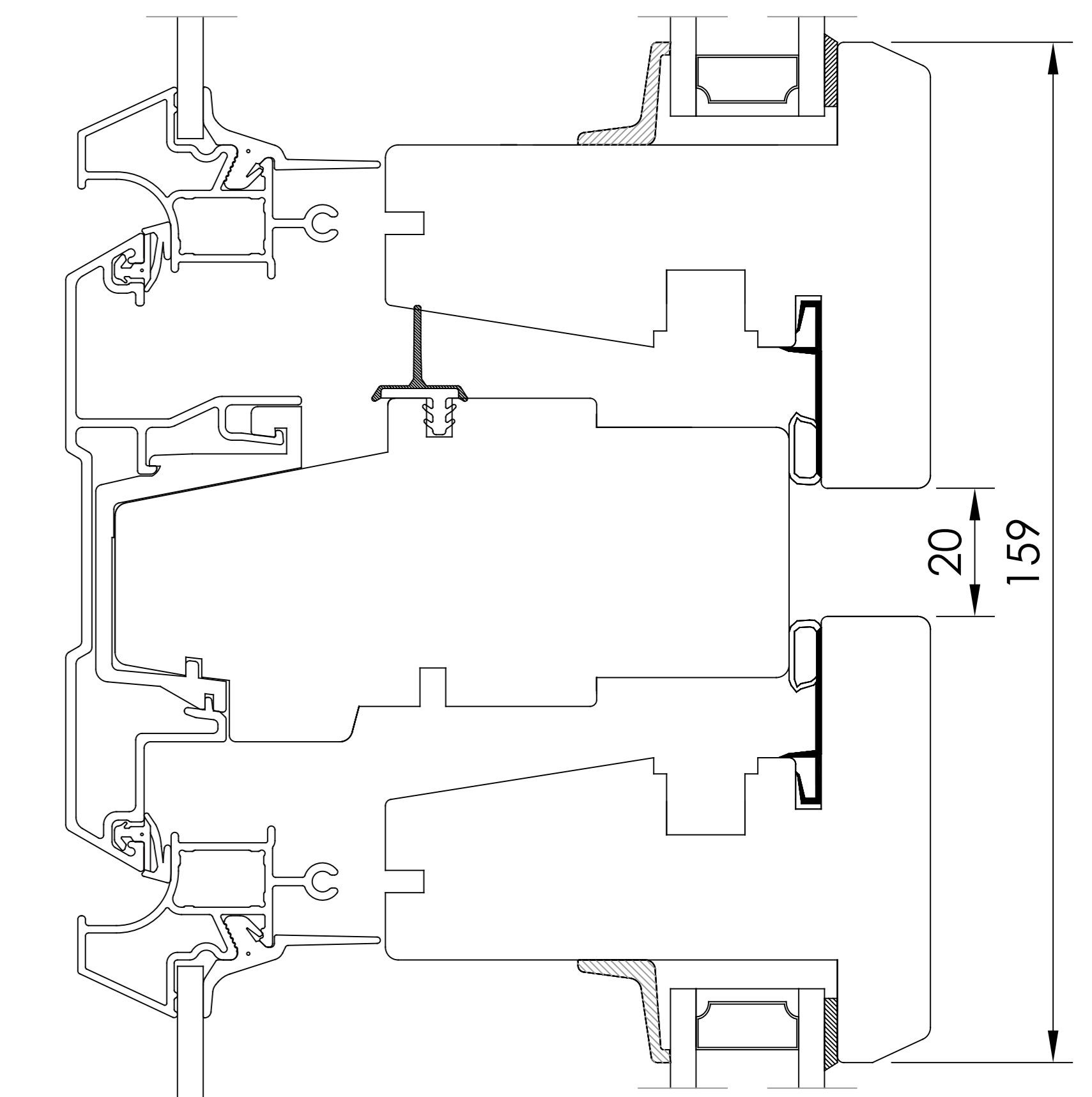
OPTION ANTIK



VERTICAL CS OPTION
- Top glass in frame and bottom glass in sash with side hung fittings and kipp-dreh function.

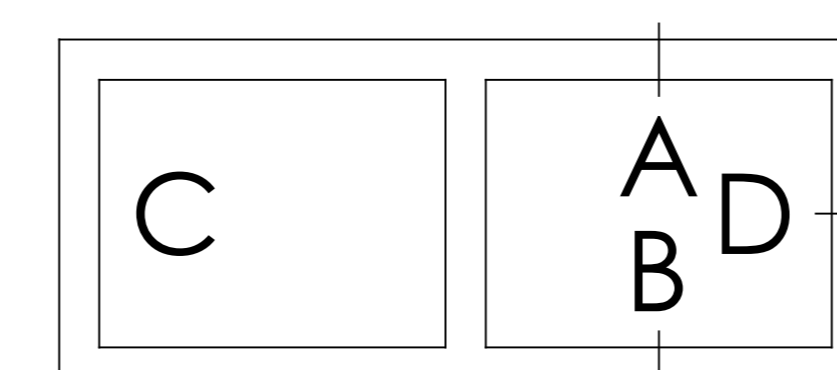
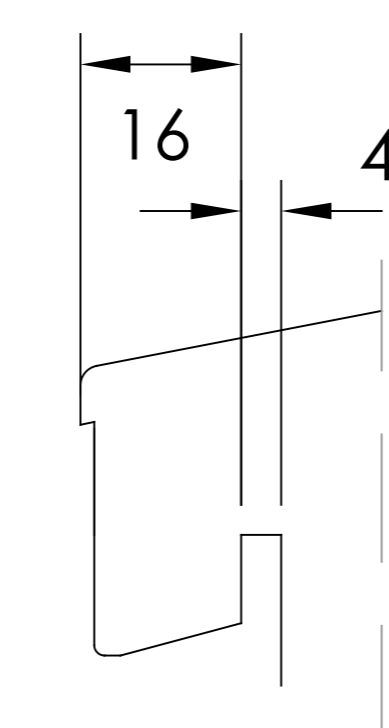


VERTICAL CS OPTION
- Top glass in sash with side hung fittings and kipp-dreh function, bottom glass in frame.



VERTICAL CS OPTION
- Top and bottom glass in sash with side hung fittings and kipp-dreh function, a middle post inbetween.

VERTICAL CS OPTION
- Norwegian nose.



CS = CROSS SECTION

Item	No.	Description	Drawingnumber	Articlenumber
Revision notification			Revised by	Revised date
Revision description				
Description			Created by	Created date
Window, Inward opening 2+1.			TE	2020-08-03
Material			General tolerance acc. to ISO2768-1	Processing code
Included in product		Included in product family	Article number	
Inward		Side Hung + Tilt & Turn		



Draw view: Scale: 1:2 Size: A3 Drawing number: 40-37-W50 Revision no: (A)