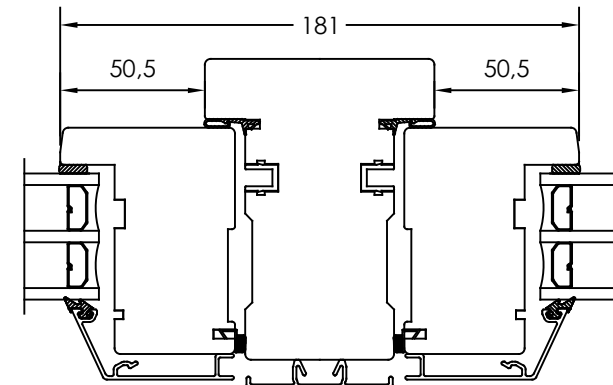
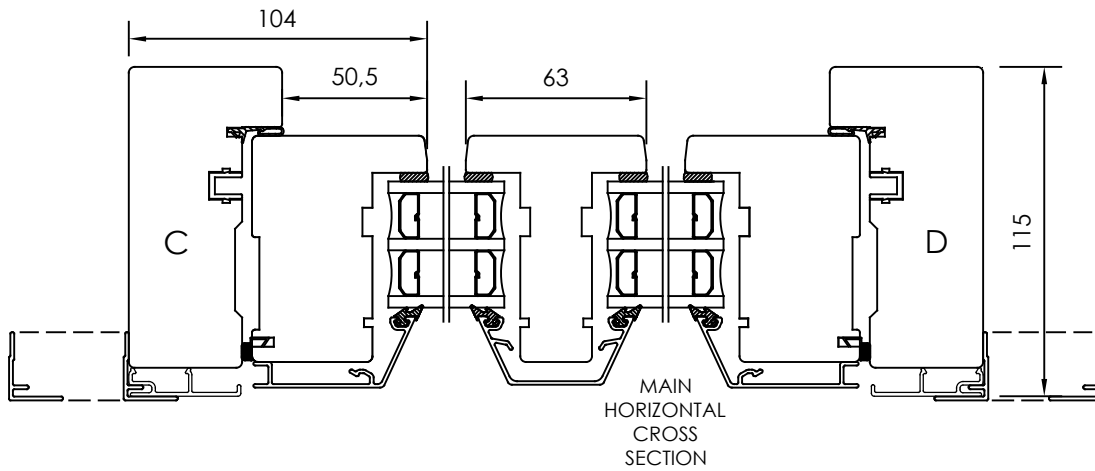
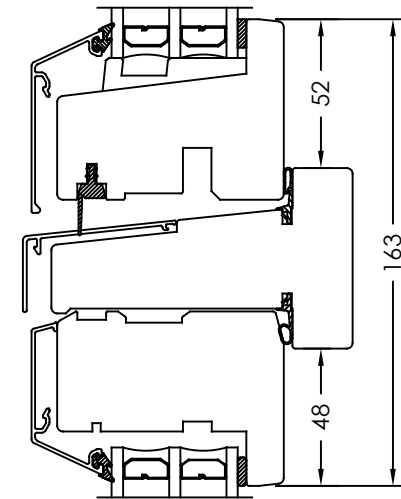
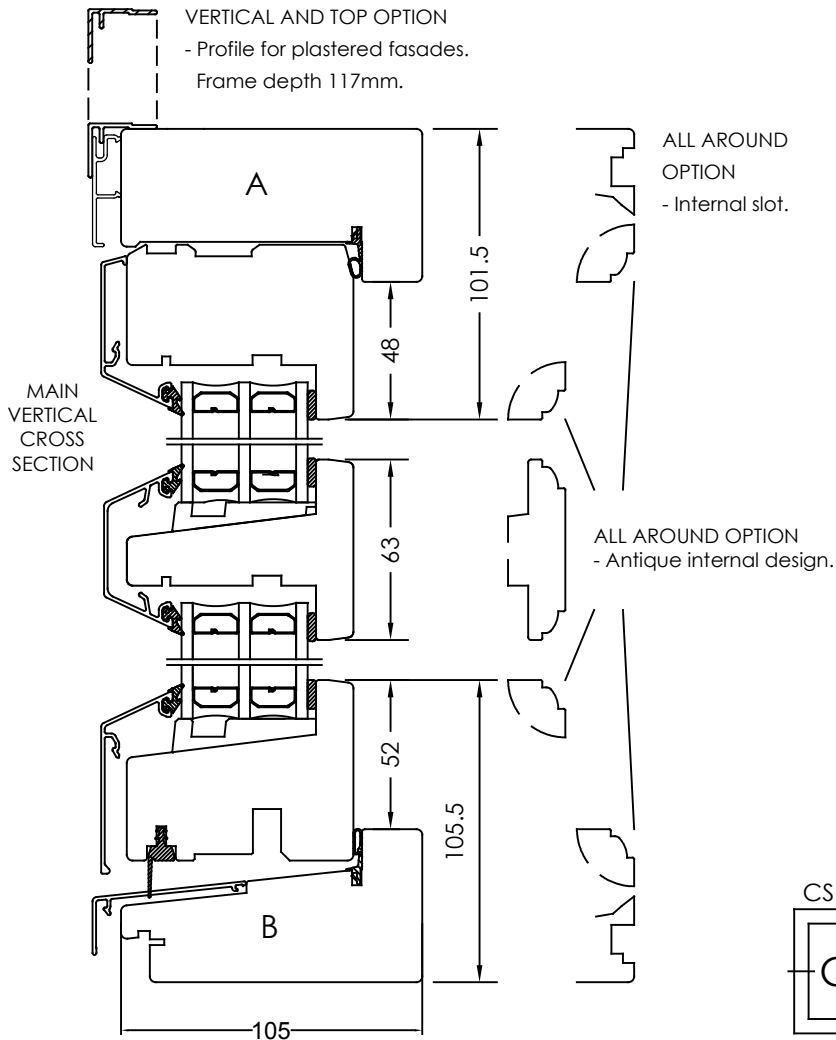


| Rev | Description | Rev. by | Date |
|-----|-------------|---------|------|
|     |             |         |      |

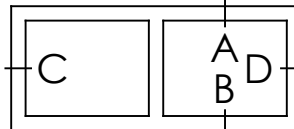



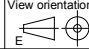
HORIZONTAL CS OPTION  
- Two horizontal sashes with middle post.



VERTICAL CS OPTION  
- Top and bottom glass in sash  
with vertical glide fittings and  
a middle post inbetween.

CS = CROSS SECTION



|   |                                    |  |                                       |   |
|---|------------------------------------|--|---------------------------------------|---|
| Designed by<br><b>SH</b>  | Designed date<br><b>2019-05-14</b> | Product Category<br><b>Window Outward</b>                                    | Processing Code                       |   |
| Approved by   | Approved date                      | Product Type<br><b>Top Swing</b>   | Material                              |   |
|  |                                    | <b>Vrid</b><br><b>3-glas, alu</b><br><b>Top Swing</b><br><b>3-glass, alu</b> | Tolerances unless otherwise specified | View orientation<br> |
|   |                                    |  | Article Number                        | Scale   |
| Drawing Number<br><b>61-37-V201 E</b>   |                                    |  | Revision<br><b>(A)</b>                |   |