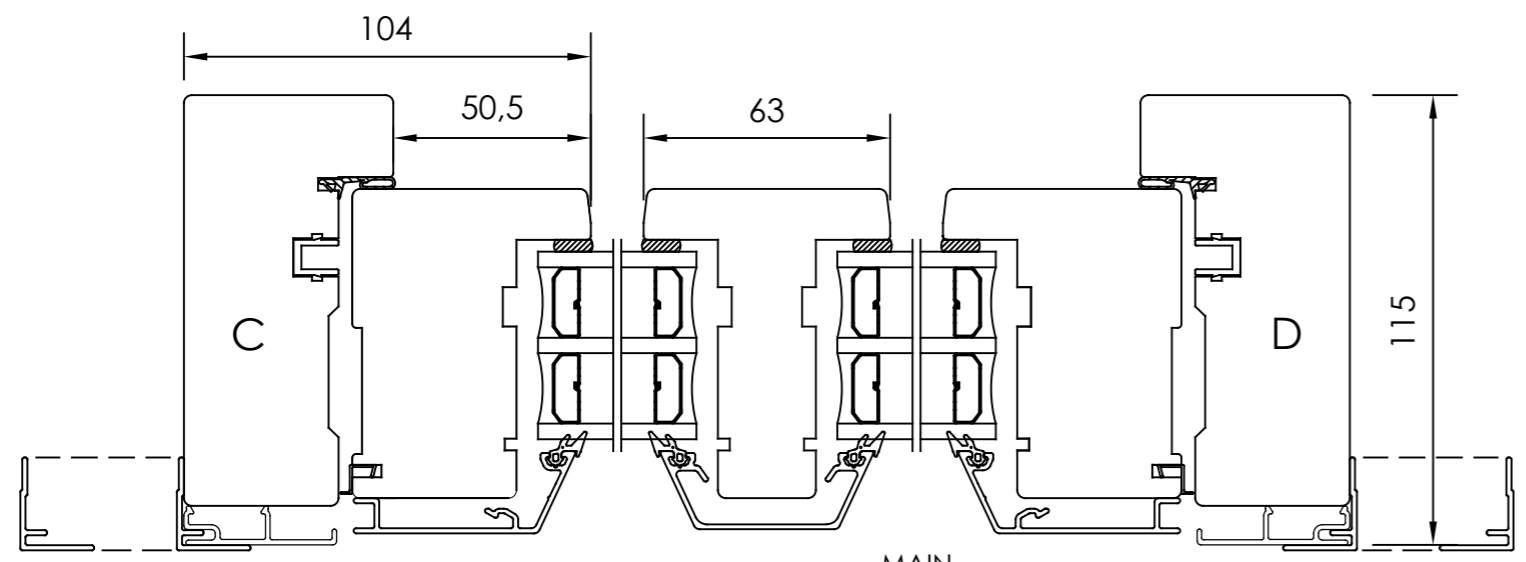
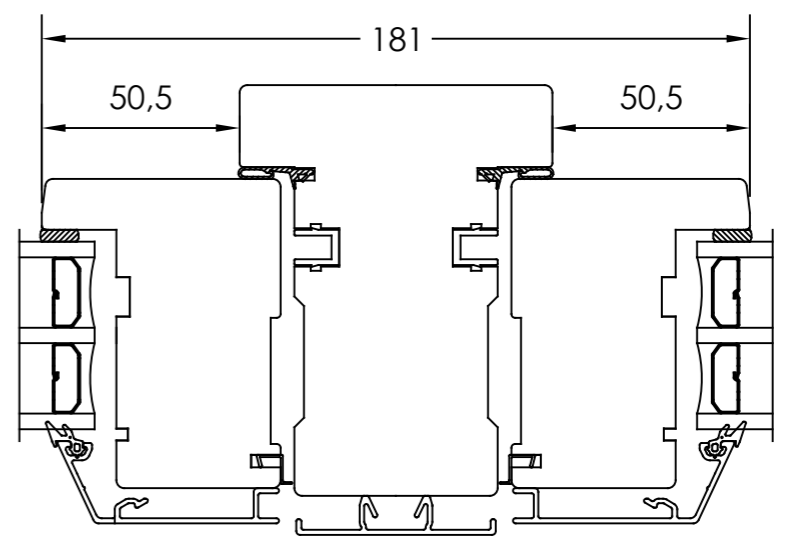


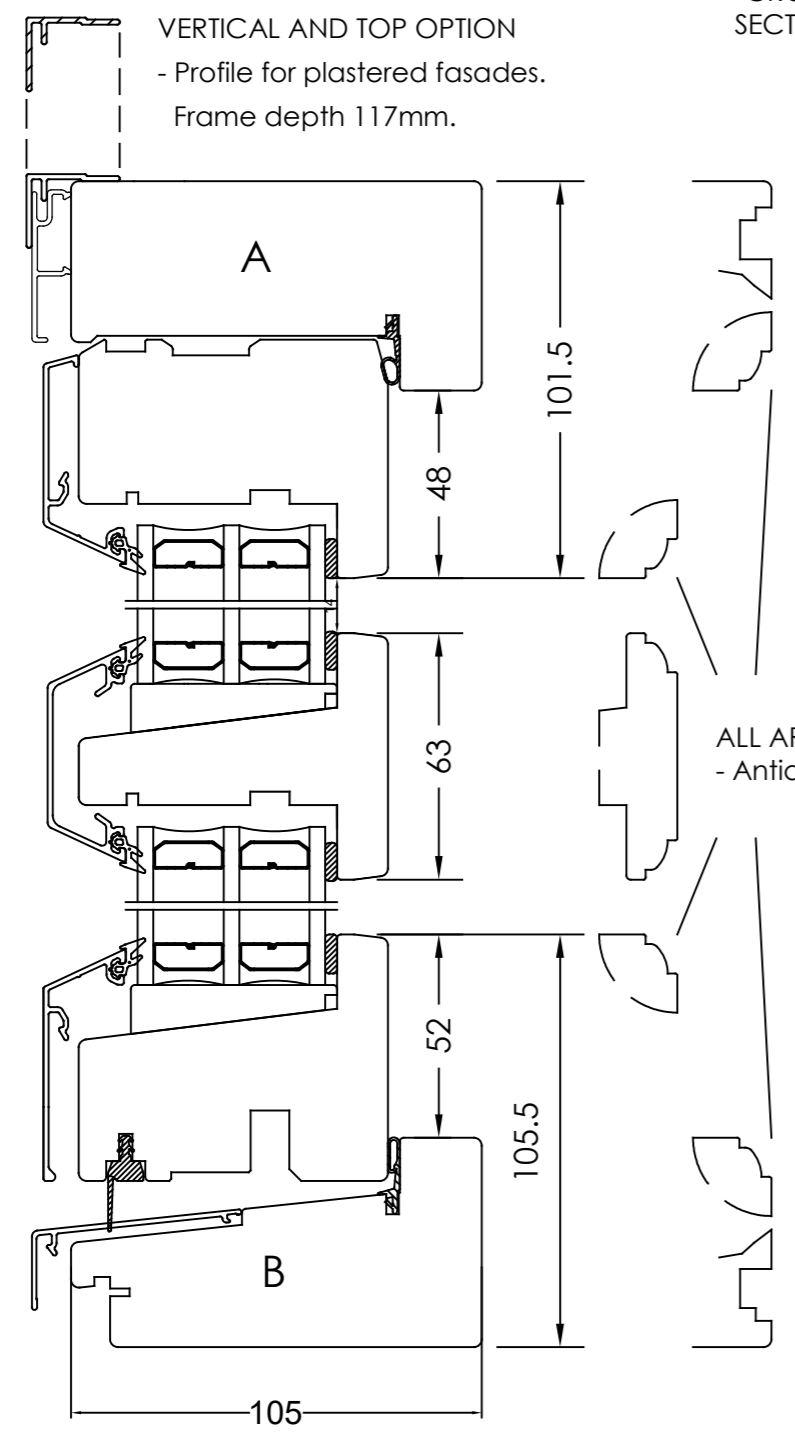
| Rev | Description | Rev. by | Date |
|-----|-------------|---------|------|
|     |             |         |      |



MAIN HORIZONTAL CROSS SECTION



HORIZONTAL CS OPTION  
- Two horizontal sashes with middle post.

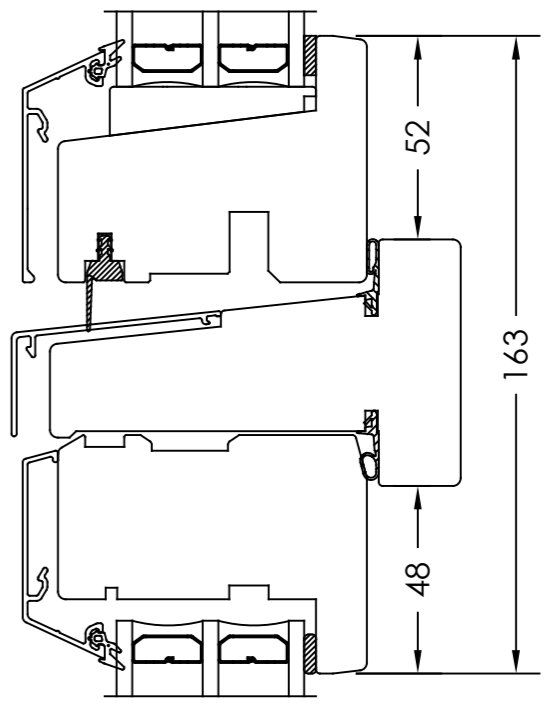


MAIN VERTICAL CROSS SECTION

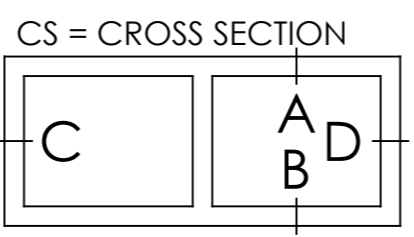
VERTICAL AND TOP OPTION  
- Profile for plastered fasades.  
Frame depth 117mm.

ALL AROUND OPTION  
- Internal slot.

ALL AROUND OPTION  
- Antique internal design.



VERTICAL CS OPTION  
- Top and bottom glass in sash with vertical glide fittings and a middle post inbetween.



|                                     |                                    |  |                                       |
|-------------------------------------|------------------------------------|--|---------------------------------------|
| Designed by<br><b>JW</b>            | Designed date<br><b>2023-04-26</b> | Product Category<br><b>Window Outward</b>                    | Processing Code                       |
| Approved by<br><b>JB</b>            | Approved date<br><b>2023-12-11</b> | Product Type<br><b>Top Swing</b>                             | Material                              |
|                                     |                                    | Vrid 48 mm<br>3-glas, alu<br>Top Swing 48 mm<br>3-glass, alu | Tolerances unless otherwise specified |
|                                     |                                    | Article Number   | View orientation<br>                  |
| Drawing Number<br><b>61-37-V221</b> |                                    | Revision<br><b>A</b>   | Scale                                 |

We reserve all rights in this document and in the information contained therein. Reproduction, use or disclosure to third parties without express authority is strictly forbidden. INWIDO