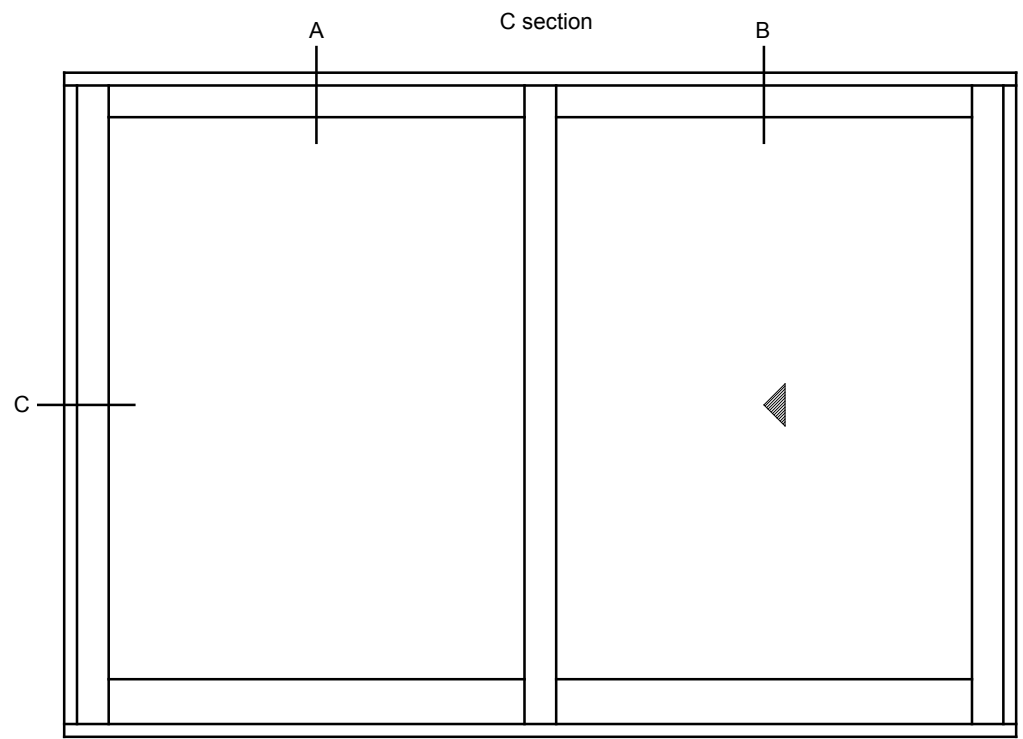
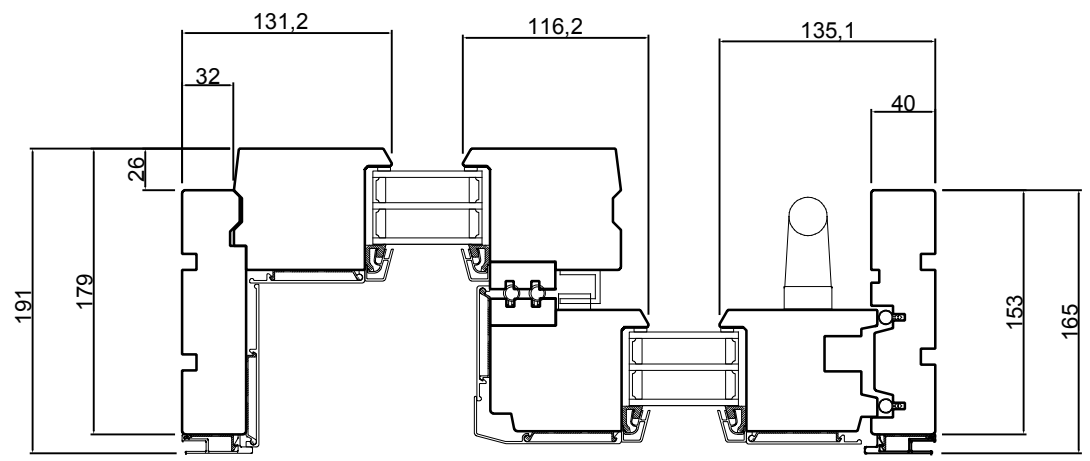
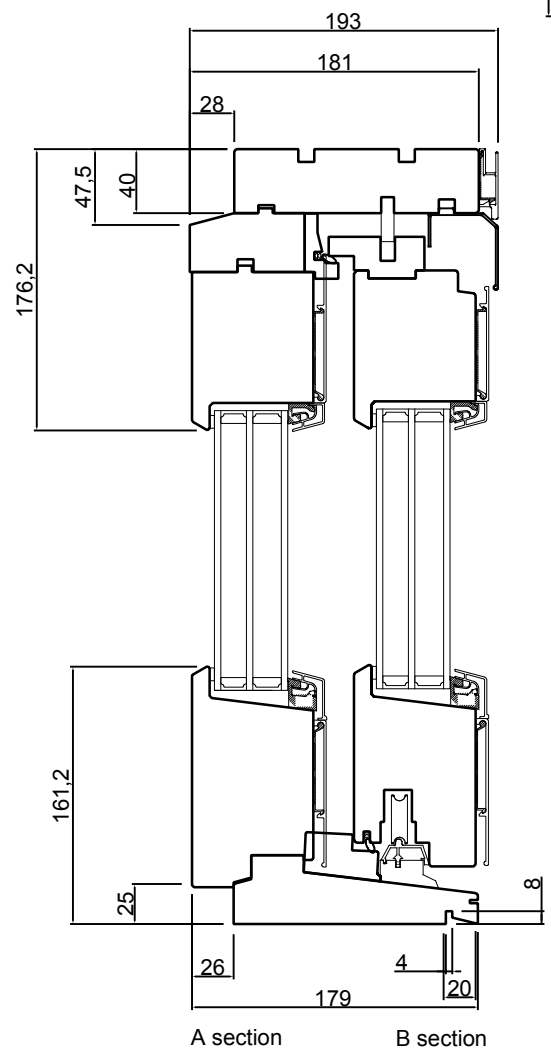
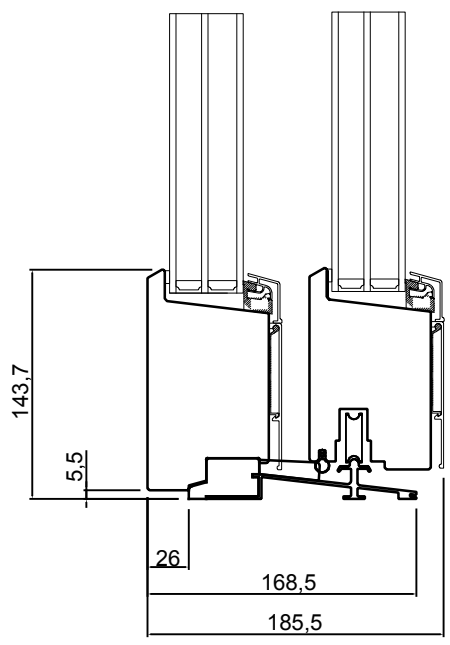

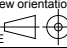


Rev	Description	Rev. by	Date
-----	-------------	---------	------



Designed by SH	Designed date 2019-05-16	Product Category Door	Processing Code
Approved by	Approved date	Product Type Sliding	Material
 Elitfönster Elifönster Skjutdörr Alu 1 Skjutbar del, 1 Fast del Elitfönster Sliding Door Alu 1 Sliding part, 1 Fixed part			Tolerances unless otherwise specified
			View orientation E 
			Scale
			Article Number ASP2
			Drawing Number 86-37-03 E
			Revision (A)